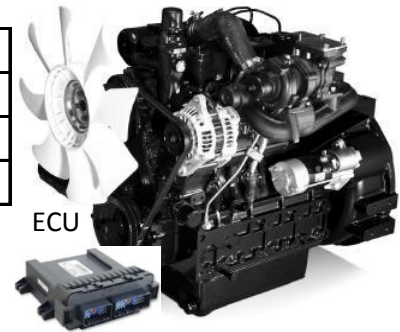


# DOOSAN INFRACORE GENERATOR ENGINE

## SP244TA

Type	emission	Rated RPM	Ratings (kW/PS)			
			Gross Engine Output		Net Engine Output	
			Standby	Prime	Standby	Prime
-	n/a	1500 (50Hz)	25.0/34.0	22.5/30.6	23.5/32.0	21.2/28.8



### Ratings Definitions

The power ratings of Emergency Standby and Prime are in accordance with ISO 8528.

Fuel Stop power in accordance with ISO 3046.

Electric power (kWe) must be considered cooling fan loss, alternator efficiency, altitude derating and ambient temperature.

**STANDBY POWER RATING** is applicable for supplying emergency power for the duration of the utility power outage.

No overload capability is available for this rating. A standby rated engine should be sized for a maximum of an 80% average load factor and 200 hours of operation per year. This includes less than 25 hours per year at the Standby Power rating.

**PRIME POWER RATING** is available for an unlimited number of hours per year in variable load application. Variable load should not exceed a 70% average of the Prime Power rating during any operating period of 24 hours. The Total operating time at 100% Prime Power shall not exceed 500 hours per year. A 10% overload capability is available for a period of 1 hour withing a 12 hour period of operation. Total operating time at the 10% overload power shall not exceed 25 hours per year.

### ◎ GENERAL ENGINE DATA

▶ Engine Model	SP244TA
▶ Engine Type	4-Cycle, In-line, Diesel, Water cooled, T/C
▶ Bore x stroke	Ø87 x 102.4 mm
▶ Displacement	2.435 liters
▶ Compression ratio	21.4 : 1
▶ Rotation	Counter clockwise viewed from Flywheel
▶ Firing order	1-3-4-2
▶ Injection timing	22° BTDC
▶ Dry weight	214kg (with Fan)
▶ Dimension (L x W x H)	766 x 510 x 723 mm
▶ Flywheel housing	SAE No.4
▶ Flywheel	Clutch No.7-1/2
▶ Number of teeth on flywheel	94

### ◎ EXHAUST SYSTEM

▶ Max. Back Pressure	14.7kPa
----------------------	---------

This is normally attained after a running period of about 100 hours and Image shown may not be actual engine.



## ◎ COOLING SYSTEM

Water circulation by centrifugal pump on engine.	
▶ Cooling method	Fresh water forced circulation
▶ Coolant capacity (Engine Only)	3.9 liters
▶ Coolant flow rate	liters / min
▶ Pressure Cap	90kPa
▶ Water Temperature	
- . Maximum for standby and Prime	110°C
- . Before start of full load	40°C
▶ Water pump	Centrifugal type driven by belt
▶ Thermostat Type and Range	Wax – pellet type □ Opening temp. 82°C , Full open temp. 95°C
▶ Cooling fan	Blower type, Plyproplene , Dia : Ø315mm , 6 blade
▶ Max. external coolant system restriction	Not Available

## ◎ LUBRICATION SYSTEM

Force-feed lubrication by gear pump	
▶ Lub. Method	Fully forced pressure feed type
▶ Oil pump	Gear type driven by crank-shaft gear
▶ Oil filter	Full flow, cartridge type
▶ Oil capacity	Max. 9.7 liters
▶ Lub oil pressure	Governed Speed : Min 245kPa
▶ Maximum oil temperature	121°C
▶ Angularity limit	Front down 30 deg , Front up 30 deg Side to side 30 deg
▶ Lubrication oil	SAE 10W-30 or SAE 15W-40(Above -10°C)

## ◎ FUEL SYSTEM

Bosch type in-line pump	
▶ Injection pump	K-type mini pump
▶ Governor	Mechanical centrifugal + Woodward APECS 4500
▶ Speed drop	G2 Class(ISO 8528)
▶ Feed pump	Diaphragm type pump
▶ Injection nozzle	Throttle type
▶ Opening pressure	14.7 ~ 15.7Mpa
▶ Fuel filter	Full flow, cartridge type
▶ Fuel feed pump capacity	24 liters / hr
▶ Used fuel	Diesel fuel oil

This is normally attained after a running period of about 100 hours and Image shown may not be actual engine.



## ◎ ELECTRICAL SYSTEM

▶ Battery Charging Alternator	12V x 75A alternator
▶ Voltage regulator	Built-in type IC regulator
▶ Starting motor	12V x 1.7 kW
▶ Battery Voltage	12V
▶ Battery Capacity	80AH(recommended)
▶ Starting aid (Option)	Glow plug

## ◎ VALVE SYSTEM

▶ Type	Overhead valve type	
▶ Number of valve	Intake 1, exhaust 1 per cylinder	
▶ Valve lashes at cold	Intake 0.20mm , Exhaust 0.20mm	
▶ Valve timing	Open	Close
- . Intake valve	21 deg. BTDC	43 deg. ABDC
- . Exhaust valve	55 deg. BBDC	11 deg. ATDC

## ◎ PERFORMANCE DATA

### SP244TA

▶ Governed Engine speed	rpm	1500
▶ Over speed limit	rpm	1575
▶ Gross Eng. Power(Stand by)	kW	25.0
efficiency	90%	
	kVe	22.5
	kVA	28.1
	PS	34.0
▶ BMEP	Mpa	8.38
▶ Mean Piston Speed	m/s	5.12
▶ Specific fuel consumption	L/hr	7.5

The all data and the specific fuel consumption are based on ISO 3046/1, Standard reference conditions are in accordance with 298 K(25° Celsius) air temperature, 100kPa(1000mbar) air pressure, 30% relative humidity, 100m(328ft) altitude.

Engine output is affected by atmospheric pressure, temperature and humidity. Therefore, an engine should be selected with sufficient power to meet the load demands under all operating conditions. Provided output be corrected for various atmospheric conditions by above standards, For detail information, refer to deration coefficient table.

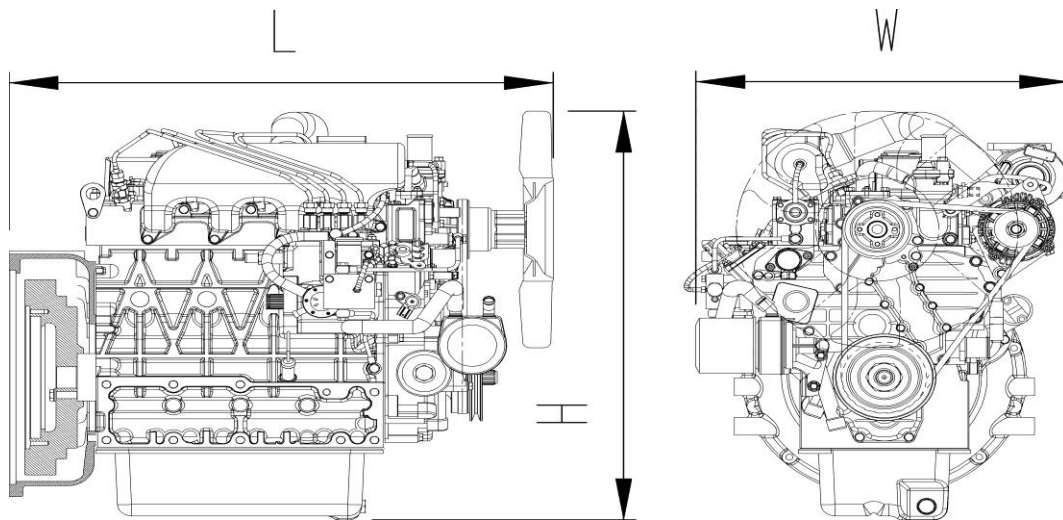
## ◎ Engine Data with Dry Type Exhaust Manifold

▶ Intake Air Flow	m <sup>3</sup> /min	1.48
▶ Exh. gas temp. after turbo.	°C	500
▶ Exhaust Gas Flow	m <sup>3</sup> /min	1.56

This is normally attained after a running period of about 100 hours and Image shown may not be actual engine.



© ENGINE DIMENSION



Designation	Length(L)	Width(W)	Height(H)	Dry weight
Value	774mm	510mm	723mm	214kg

© CONVERSION TABLE

in. = mm x 0.0394

PS = kW x 1.3596

psi = kg/cm<sup>2</sup> x 14.2233

in<sup>3</sup> = lit. x 61.02

hp = PS x 0.98635

lb = kg x 2.20462

kW = Kcal/sec x 0.239

lb/ft = N.m x 0.737

U.S. gal = lit. x 0.264

kW = 0.2388 kcal/s

lb/PS.h = g/kW.h x 0.00162

cfm = m<sup>3</sup> /min x 35.336

Mpa = Pa x 1000 = bar x 10

This is normally attained after a running period of about 100 hours and Image shown may not be actual engine.

