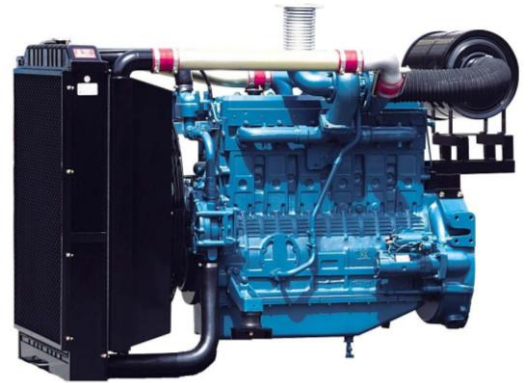


◎ POWER RATING

Intermittent rating kW(PS) / rpm	Max. torque N.m(kg.m) / rpm	Fuel consumption g/kW.h(g/PS.h) / rpm
294 (400) / 2,100	1521 (155) / 1,400	220 (162) / 2,100

1. The engine performance corresponds to ISO 3046, DIN 6270B.
2. Continuous power rating is to 250kW(340ps) @2100rpm.



◎ MECHANICAL SYSTEM

- Engine Model PU126TI
- Engine Type In-line 4 cycle, water cooled
Turbo charged & intercooled
- Combustion type Direct injection
- Cylinder Type Replaceable dry liner
- Number of cylinders 6
- Bore x stroke 123(4.84) x 155(6.1) mm(in.)
- Displacement 11.051(674.5) lit.(in3)
- Compression ratio 17 : 1
- Firing order 1-5-3-6-2-4
- Injection timing 14° BTDC
- Compression pressure Above 28 kg/cm²(398 psi) at 200rpm
- Dry weight Approx. 910 kg (2006 lb)
- Dimension (LxWxH) 1,383 x 870 x 1,207 mm
(54.4 x 34.3 x 47.5 in.)
- Rotation Counter clockwise viewed from Flywheel
- Fly wheel housing SAE NO.1M
- Fly wheel Clutch NO.14M

◎ MECHANISM

- Type Over head valve
- Number of valve Intake 1, exhaust 1 per cylinder
- Valve lashes at cold Intake 0.30 mm(0.0118 in.)
Exhaust 0.30 mm(0.0118 in.)

◎ VALVE TIMING

- | | Opening | Close |
|-----------------|--------------|--------------|
| ○ Intake valve | 18 deg. BTDC | 34 deg. ABDC |
| ○ Exhaust valve | 46 deg. BBDC | 14 deg. ATDC |

◎ OPTION & ACCESSORY PARTS

- Engine parts Fly wheel & housing
Intake & exhaust manifold
- Accessory parts Raditor, silencer & air cleaner
- Electrical parts Gauge panel & stop solenoid

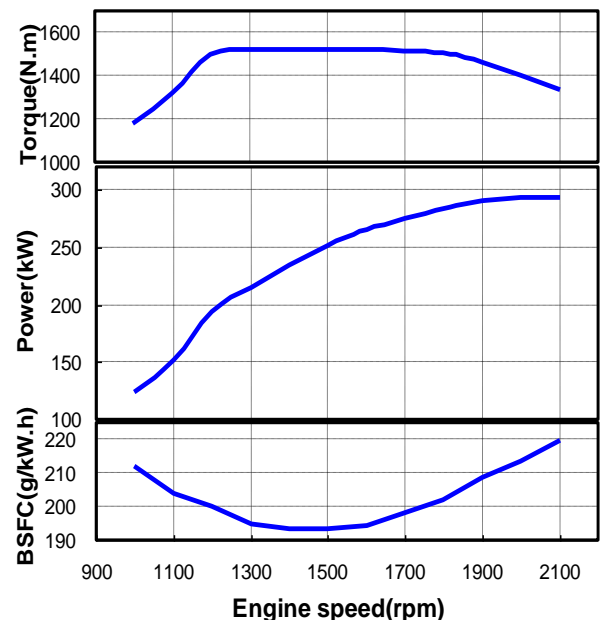
◎ FUEL SYSTEM

- Injection pump Zexel in-line "P" type
- Governor RSV type(all speed control)
- Feed pump Mechanical type
- Injection nozzle Multi hole type
- Opening pressure 220 kg/cm² (3,129 psi)
- Fuel filter Full flow, cartridge type
- Used fuel Diesel fuel oil

◎ LUBRICATION SYSTEM

- Lub. Method Fully forced pressure feed type
- Oil pump Gear type driven by crankshaft
- Oil filter Full flow, cartridge type
- Oil pan capacity High level 23 liters (6.1 gal.)
Low level 20 liters (5.3 gal.)
- Angularity limit Front down 25 deg.
Front up 25 deg.
Side to side 15 deg.
- Lub. Oil Refer to Operation Manual

◎ PERFORMANCE CURVE



◎ COOLING SYSTEM

- Cooling method Fresh water forced circulation
- Water capacity 19 liters (5.02 gal.)
(engine only)
- Pressure system Max. 0.9 kg/cm² (12.8 psi)
- Water pump Centrifugal type driven by gear
- Water pump Capacity 320 liters (84.5 gal.)/min
at 2,100 rpm (engine)
- Thermostat Wax – pellet type
Opening temp. 83°C
Full open temp. 95°C
- Cooling fan Blower type, plastic
755 mm diameter, 7 blade

◎ ELECTRICAL SYSTEM

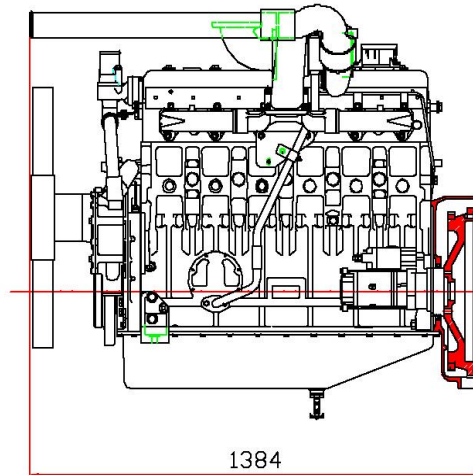
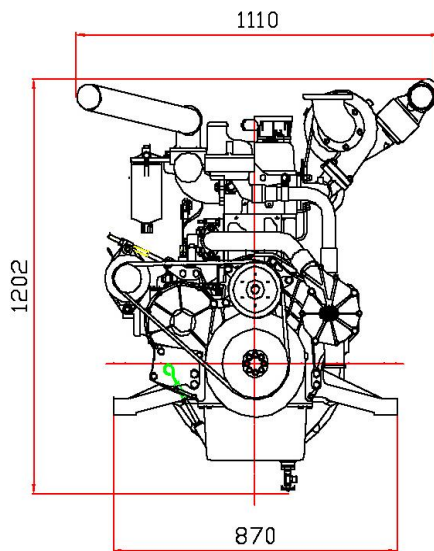
- Charging generator 24V x 45A alternator
- Voltage regulator Built-in type IC regulator
- Starting motor 24V x 6.0kW
- Battery Voltage 24V
- Battery Capacity 150 AH (recommended)
- Starting aid (Option) Block heater

◎ ENGINEERING DATA

- Water flow 320 liters/min @2,100 rpm
- Heat rejection to coolant 30 kcal/sec @2,100 rpm
- Heat rejection to CAC 17 kcal/sec @2,100 rpm
- Air flow 26 m³/min @2,100 rpm
- Exhaust gas flow 65 m³/min @2,100 rpm
- Exhaust gas temp. 505 °C @2,100 rpm
- Max. permissible restrictions
 - Intake system 220 mmH₂O initial
635 mmH₂O final
 - Exhaust system 1,000 mmH₂O max.

◆ CONVERSION TABLE

- | | |
|------------------------------------|------------------------------------|
| in. = mm x 0.0394 | lb/ft = N.m x 0.737 |
| PS = kW x 1.3596 | U.S. gal = lit. x 0.264 |
| psi = kg/cm ² x 14.2233 | kW = 0.2388 kcal/s |
| in ³ = lit. x 61.02 | lb/PS.h = g/kW.h x 0.00162 |
| hp = PS x 0.98635 | cfm = m ³ /min x 35.336 |
| lb = kg x 2.20462 | |





Marshall's Industrial Ltd.
Beadle Estate,
Hithercroft Road, Wallingford,
Oxfordshire OX10 9DG UK

Switchboard: +44 (0)1491 834666
@ e-mail sales@mi-uk.com
Web: <http://www.mi-uk.com>
Company Registration No. 3117801
VAT No. GB641 9185 29

Marshall's Industrial

Doosan Infracore Co., Ltd.
21st Floor, Doosan Tower, 18-12, Euljiro 6-ga,
Jung-gu, Seoul, Korea

TEL : +82-2-3398-8400 / Fax : +82-2-3398-8509
E-mail : enginesales@doosan.com
Web site : www.doosaninfracore.com

※ Specifications are subject to change without prior notice