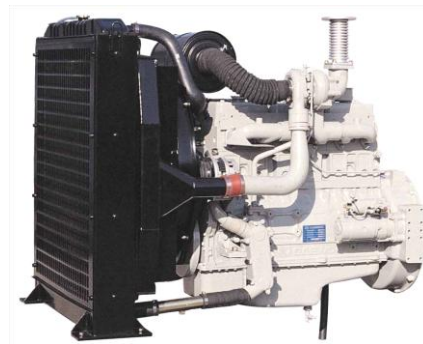


◎ POWER RATING

Intermittent rating kW(PS) / rpm	Max. torque N.m(kg.m) / rpm	Fuel consumption g/kW.h(g/PS.h) / rpm
213 (290) / 2,200	1095 (111.7) / 1,600	219 (161) / 2,200

- The engine performance corresponds to ISO 3046, DIN 6270B.
- Continuous power rating is to 169kW(230ps) @2200rpm.



◎ MECHANICAL SYSTEM

- Engine Model PU086TI
- Engine Type In-line 4 cycle, water cooled
Turbo charged & intercooled
- Combustion type Direct injection
- Cylinder Type Replaceable dry liner
- Number of cylinders 6
- Bore x stroke 111(4.37) x 139(5.47) mm(in.)
- Displacement 8.071(492.49) lit.(in3)
- Compression ratio 16.7 : 1
- Firing order 1-5-3-6-2-4
- Injection timing 15° BTDC
- Compression pressure Above 28 kg/cm²(398 psi) at 200rpm
- Dry weight Approx. 792 kg (1,746 lb)
- Dimension (LxWxH) 1,242 x 918 x 1,100 mm
(48.9 x 36.1 x 43.3 in.)
- Rotation Counter clockwise viewed from Flywheel
- Fly wheel housing SAE NO.1M
- Fly wheel Clutch NO.14M

◎ MECHANISM

- Type Over head valve
- Number of valve Intake 1, exhaust 1 per cylinder
- Valve lashes at cold Intake 0.30 mm(0.0118 in)
Exhaust 0.30 mm(0.0118 in.)

◎ VALVE TIMING

- | | Opening | Close |
|-----------------|--------------|--------------|
| ○ Intake valve | 16 deg. BTDC | 36 deg. ABDC |
| ○ Exhaust valve | 46 deg. BBDC | 14 deg. ATDC |

◎ OPTION & ACCESSORY PARTS

- Engine parts Fly wheel & housing
Intake & exhaust manifold
- Accessory parts Raditor, silencer & air cleaner
- Electrical parts Gauge panel & stop solenoid

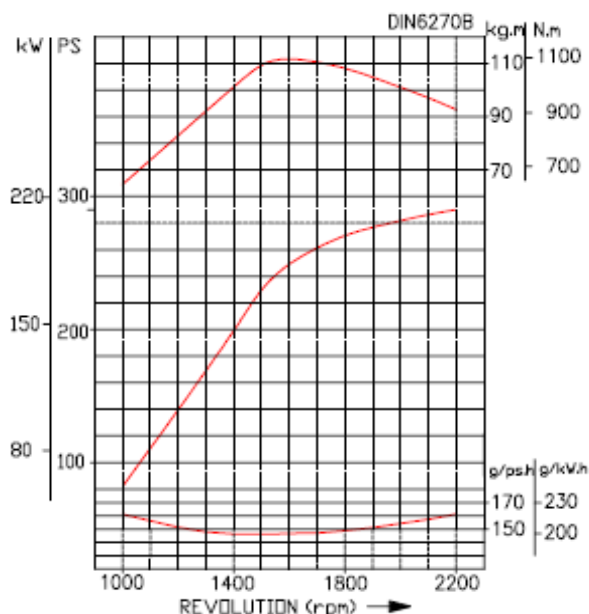
◎ FUEL SYSTEM

- Injection pump Zexel in-line "PE6P" type
- Governor RSV type(all speed control)
- Feed pump Mechanical type
- Injection nozzle Multi hole type
- Opening pressure 224 kg/cm² (3,186 psi)
- Fuel filter Full flow, cartridge type
- Used fuel Diesel fuel oil

◎ LUBRICATION SYSTEM

- Lub. Method Fully forced pressure feed type
- Oil pump Gear type driven by crankshaft
- Oil filter Full flow, cartridge type
- Oil pan capacity High level 15 liters (4.09 gal.)
Low level 12 liters (3.17 gal.)
- Angularity limit Front down 25 deg.
Front up 25 deg.
Side to side 25 deg.
- Lub. Oil Refer to Operation Manual

◎ PERFORMANCE CURVE



◎ COOLING SYSTEM

- Cooling method Fresh water forced circulation
- Water capacity 14 liters (3.70 gal.)
(engine only)
- Pressure system Max. 0.9 kg/cm² (12.8 psi)
- Water pump Centrifugal type driven by belt
- Water pump Capacity 250 liters (66.0 gal.)/min
at 2,200 rpm (engine)
- Thermostat Wax – pellet type
Opening temp. 71 °C
Full open temp. 85 °C
- Cooling fan Blower type, plastic
660 mm diameter, 7 blade

◎ ELECTRICAL SYSTEM

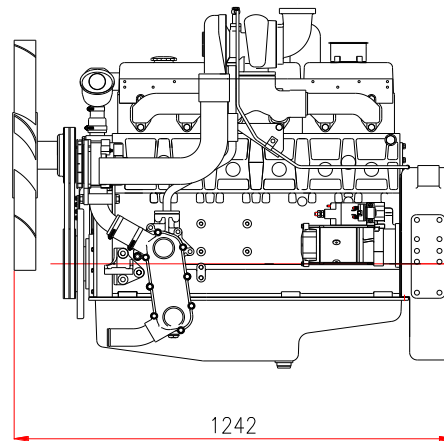
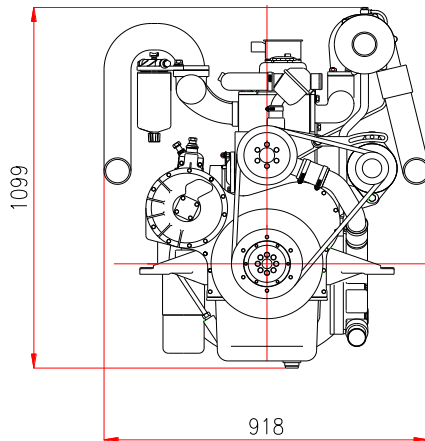
- Charging generator 24V x 45A alternator
- Voltage regulator Built-in type IC regulator
- Starting motor 24V x 4.5kW
- Battery Voltage 24V
- Battery Capacity 100 AH (recommended)
- Starting aid (Option) Block heater

◎ ENGINEERING DATA

- Water flow 250 liters/min @2,200 rpm
- Heat rejection to coolant 29.7 kcal/sec @2,200 rpm
- Air flow 25.1 m³/min @2,200 rpm
- Exhaust gas flow 40.1 m³/min @2,200 rpm
- Exhaust gas temp. 450 °C @2,200 rpm
- Max. permissible restrictions
 - Intake system 220 mmH₂O initial
635 mmH₂O final
 - Exhaust system 1,000 mmH₂O max.

◆ CONVERSION TABLE

- | | |
|------------------------------------|------------------------------------|
| in. = mm x 0.0394 | lb/ft = N.m x 0.737 |
| PS = kW x 1.3596 | U.S. gal = lit. x 0.264 |
| psi = kg/cm ² x 14.2233 | kW = 0.2388 kcal/s |
| in ³ = lit. x 61.02 | lb/PS.h = g/kW.h x 0.00162 |
| hp = PS x 0.98635 | cfm = m ³ /min x 35.336 |
| lb = kg x 2.20462 | |





Marshall's Industrial Ltd.
Beadle Estate,
Hithercroft Road, Wallingford,
Oxfordshire OX10 9DG UK

Switchboard: +44 (0)1491 834666
@ e-mail sales@mi-uk.com
Web: <http://www.mi-uk.com>
Company Registration No. 3117801
VAT No. GB641 9185 29

Marshall's Industrial

Doosan Infracore Co., Ltd.
21st Floor, Doosan Tower, 18-12, Euljiro 6-ga,
Jung-gu, Seoul, Korea

TEL : +82-2-3398-8400 / Fax : +82-2-3398-8509
E-mail : enginesales@doosan.com
Web site : www.doosaninfracore.com

※ Specifications are subject to change without prior notice