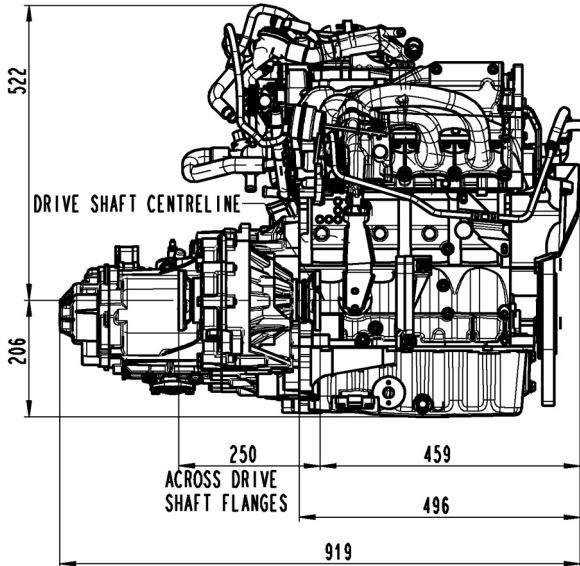


Our Products



6 Speed Transverse Transmission



Gear Ratios for 02M 300 046F

1st Gear ratio	3.36	5th Gear ratio	0.93
2nd Gear ratio	2.09	6th Gear ratio	0.76
3rd Gear ratio	1.47	Reverse gear ratio	3.99
4th Gear ratio	1.15	Final Drive ratio	3.94
		Differential type	Open

Volkswagen Group Transmissions

If it is the reliable transmission of power to the road you are looking for - Volkswagen Group has a wide range of transmissions that are used in their vehicles. As you would expect from Volkswagen Group they are all built to exacting standards with high quality a prerequisite. Available in 5 or 6 speed transverse or transaxle configurations they could be the perfect match for your project or supplied as a drivetrain with one of our engines.

Suitable for use with
1.8 Turbo engine

VOLKSWAGEN
Powersystems & Components

Contact Details

Marshall's Industrial Ltd.
Beadle Estate
Hithercroft Road
Wallingford
Oxfordshire
OX10 9DG
UK

Telephone: +44 (0)1491 834666
Facsimile: +44 (0)1491 839777
Email: sales@mi-uk.com
mi-uk.co.uk